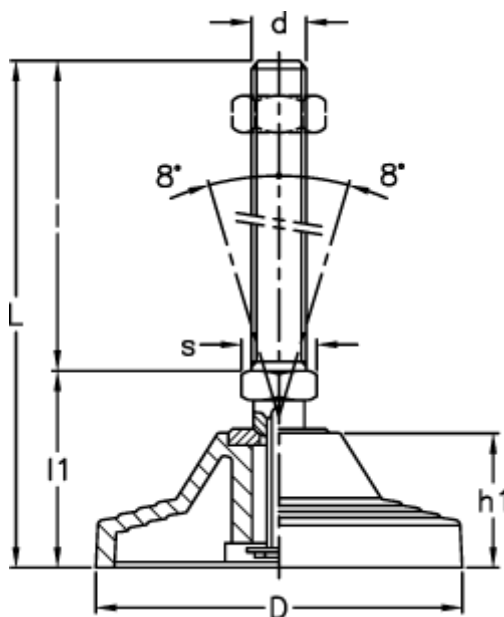


Article number: 2310306945

Description: E+G Levelling element  
LV.A-125-ACV-M30x186

## Measures



d	= M30
D	= 125
h	= 45
l	= 186
L	= 250
l1	= 64
Max load (N)	= 40000
s	= 30